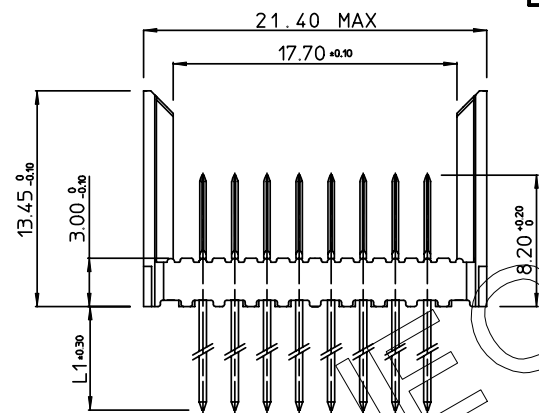
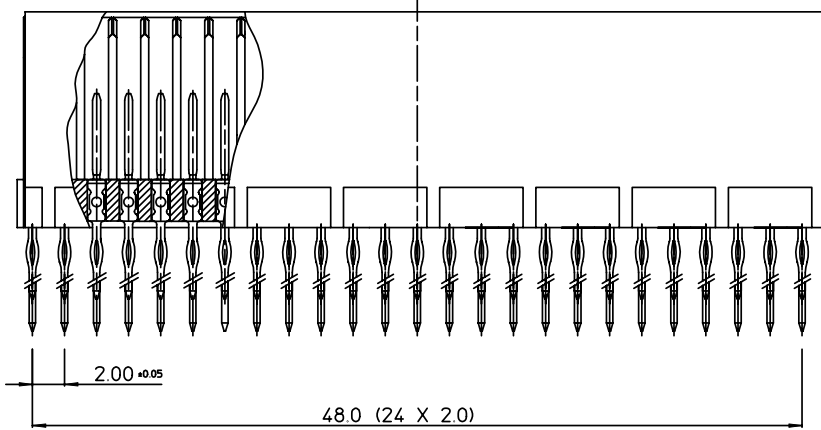


GEN. ST.	01	02	03	04	05	06	07	08	0D	50	60	70	80	90																	
INT. ST.	10	11	12	13	14	18	20	31	32	33	34	38	39	40	42	43	44	45	46	48	56	70	72	73	75	76	81	82	83	84	88

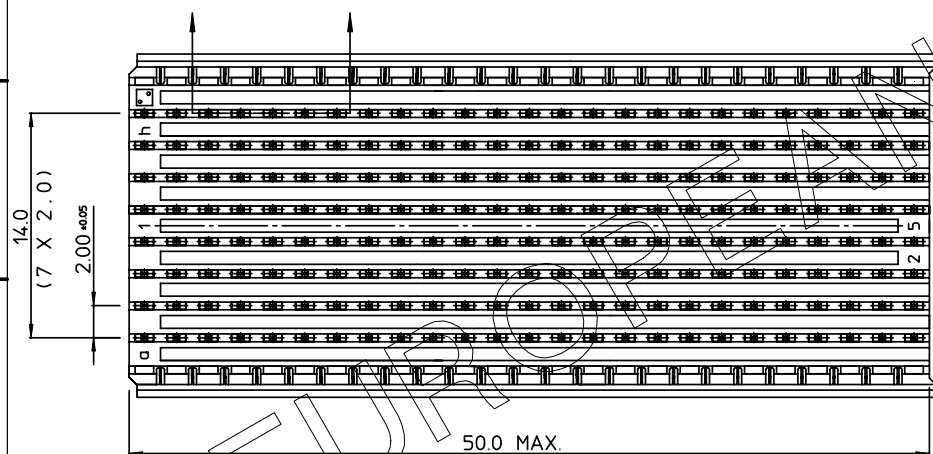
REV.	DATE	DESCRIPTION	BY	C'K'D'
A	2001-09-14	CONVERSION REVISION 03	KN	
B	2005-10-07	105-0184	ALEX B	BKP
C	2006-08-08	106-0144	ALEX B	BKP



PERFORMANCE CHARACTERISTICS

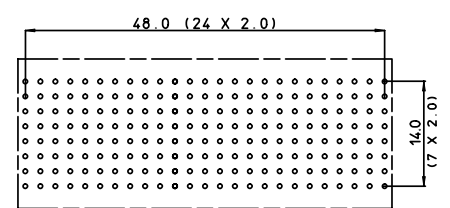
CURRENT RATING : 1.5 A AT 20°C (FULLY LOADED)
 1 A AT 70°C (FULLY LOADED)
 RATED VOLTAGE : 500 V AC (CONT / CONT)
 OPERATING TEMPERATURE : -55°C TO 125°C
 CONTACT RESISTANCE : 20 mΩ MAX
 INSERTION FORCE : 0.60 N MAX / CONT
 EXTRACTION FORCE : 0.15 N MIN / CONT
 INSULATION RESISTANCE : 10⁴ MΩ MIN

CAT. NR.	L ±0.3	DESCRIPTION
HM2P88PD8110----	3.7	SHORT PRESS-FIT
HM2P88PC8110----	4.5	SHORT PRESS-FIT
HM2P88PK8110----	13	REAR PLUG-UP: LEVEL 1
HM2P88PM8110----	14.5	REAR PLUG-UP: LEVEL 2
HM2P88PN8110----	16	REAR PLUG-UP: LEVEL 3
HM2P88PT8110----	13	WIRE WRAP



NOTES

- *HM2P88P#8110--- "LF" LEAD FREE INDICATOR : LF=LEAD FREE (DIGIT 15&16)
- THIS PRODUCT IS CSA APPROVED. THIS PRODUCT IS UL RECOGNIZED.
- FOR RECOMMENDED PTH DIMENSIONS REFER DRAWING : BS,A ,201572.001
- THE PRODUCT (LF) MEETS EUROPEAN UNION DIRECTIVES AND OTHER COUNTRY REGULATIONS AS DESCRIBED IN GS-22-008



LAY-OUT
P.C.B. - HOLE

THIS IS OUR EXCLUSIVE PROPERTY. IT IS NOT TO BE COPIED, REPRINTED OR DISCLOSED TO A THIRD PARTY, NOR USED FOR MANUFACTURING WITHOUT OUR WRITTEN CONSENT, AND HAS TO BE RETURNED TO US IN CASE OF NO USAGE

DIT IS ONZE EIGENDOM EN MAG NIET NAEMAKKAT, HERDRUKT, OVERGEMAKT AAN DERDEN, NOCH VOOR FABRIKATIE GEBRUIKT WORDEN, ZONDER ONZE SCHRIFTELIJKE TOELATING. BIJ NIET GEBRUIK IS TERUGZENDING VERPLICHT.

MALE SIGNAL STRAIGHT PRESS-FIT-TO-BOARD CONNECTOR
WITHOUT SERVICECENTER (WIDE BODY)

1DEC ±0.2 2DEC ±0.1 ANGLES ±1°	APPR.	DATE	SIGN.	MILLIPACS 2 / TYPE E (8 ROW) / NO SHIELDING
	DRAFT	1996-04-30	W.Panis	CAT. No. HM2P88P#8110----
	CHECKED			
WE RESERVE THE RIGHT TO CHANGE DIMENSIONS OR REQUIREMENTS WITHOUT PRIOR NOTICE.	PROD. MGR.			www.fciconnect.com
	PR. ENG. MGR.			
ALL DIMENSIONS IN MM	PR. MGT. MGR.			

REFERENCES

BS,C ,202259,002 C

PDM: Rev:C STATUS: **Released** CUSTOMER DRAWING REVISION

Printed: Dec 02, 2007